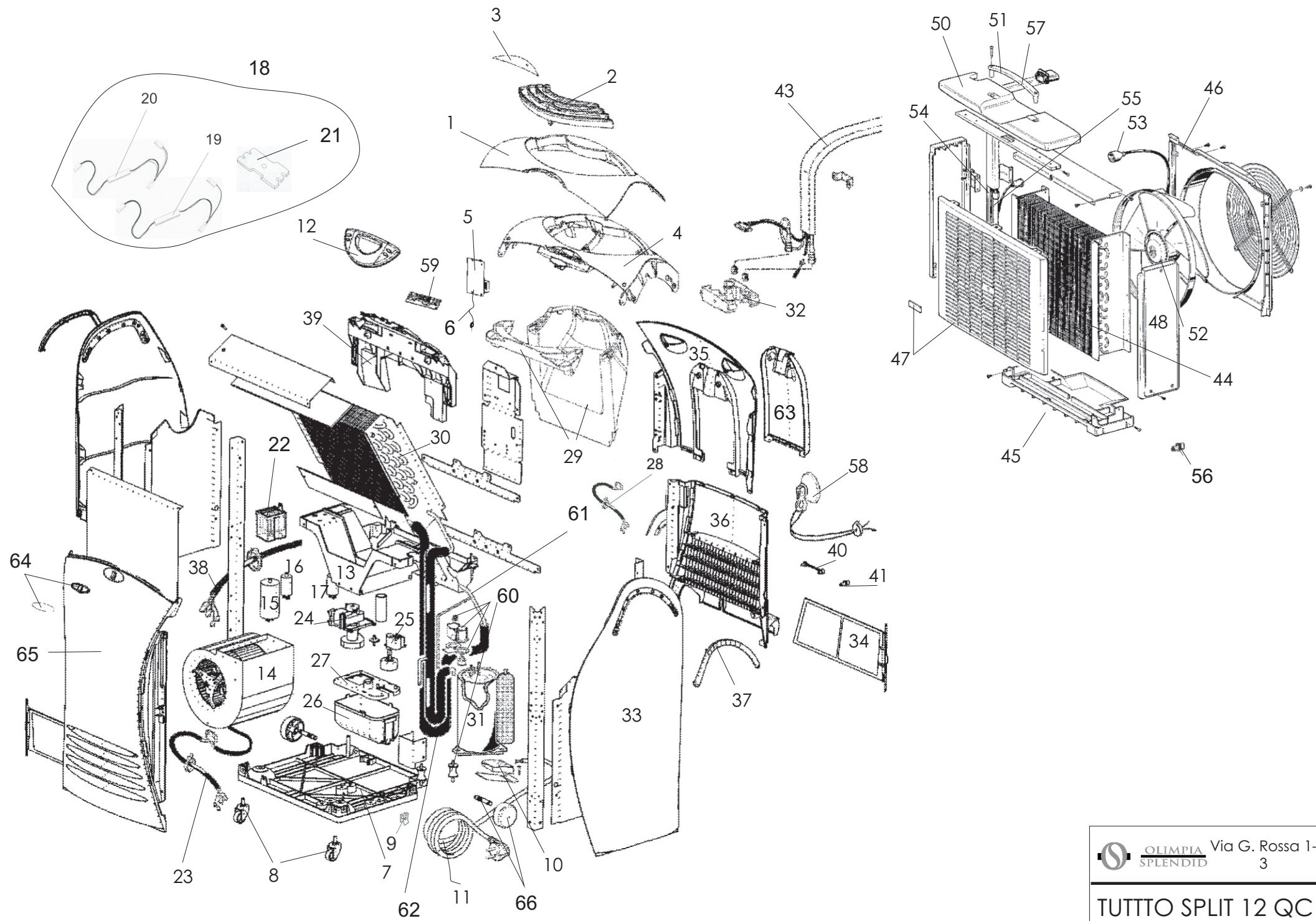


CODE	DESCRIPTION	POS.	GR.
K070003172A	TOP DOME	1	
K070003281A	AIR OUTLET GRILL	2	
K070003382A	GLASS	3	
K070003472A	INFERIOR DOME	4	
K160001000A	POWER CARD	5	
275041A	ENVIRONMENT TEMPERATURE SENSOR	6	
281717B72	BASIS	7	
279306A	WHEEL DIAMETER 30 MM	8	
K050000400A	SPRING	9	
275036A	FRRIDO TERMINAL BOX	10	
K210001300A	SOURCE CABLE L=2500 MM	11	
L210009700A	TUTTTO REMOTE CONTROLLER	12	
K070000100A	FAN MOTOR SUPPORT FRRIDO SPLIT	13	
270422A	D4E-160-H062-07 CENTRIFUGAL FAN	14	
276233A	CAPACITOR MF 30 CODOLO-DOUBLE FASTO	15	
275977A	CAPACITOR 3,15 mF DOUBLE FASTON	16	
276528A	CAPACITOR MF 2	17	
L010002300A	AEG K30 GR RELAY-RESISTANCE	18	
256903A	RESISTANCE (120 OHM-30W)	19	
256904A	RESISTANCE (90 OHM-20 W)	20	
271976A	INSULATOR GASKET FOR RESISTANCES	21	
276222A	TRIPOLAR RELAY	22	
K160001900D	WIRING FOR FAN MOTOR	23	
276016A	WATER PUMP	24	
276192A	WATER SENSOR	25	
281720A72	PUMP CONTAINER	26	
281721B72	COVER PUMP CONTAINER	27	
255679A	WIRING FOR PUMP	28	
L260001200A	AEG K30 AIR CONVEYOR GROUP	29	
256432A	EVAPORATOR COIL	30	
276270A	COMPRESSOR GOLDSTAR GK113PAH	31	
281270A72	VICE FOR QUICK CONNECTOR	32	
281711A144	RIGHT/LEFT AESTHETIC PANEL	33	
281712A144	AIR FILTER+FRAME FILTER	34	
281096A144	REAR/TOP AESTHETIC PANEL	35	
281715A144	REAR/LOWER AESTHETIC PANEL	36	
281710A144	SIDE COVER	37	
K160002000A	WIRING ASSEMBLY	38	
K070005396A	INTERNAL PLASTIC STRUCTURE	39	
279310A	WATER PLUG	40	
281240A72	PIPE FITTING	41	
K100026100A	GR FLEXIBLE LINE 2.5 MT	43	
256429A	CONDENSER COIL	44	
281200B85	OUTDOOR UNIT BASIS	45	
281655A85	REAR PLASTIC FOR OUTDOOR UNIT	46	
G0376A	GR.O.U FRRIDO SPLIT FRONT PART+STIC	47	
281288B85	FRONT PLASTIC FOR OUTDOOR UNIT	48	
281289B85	TOP PART FOR OUTDOOR UNIT	50	
281283A85	HANDLE FOR OUTDOOR UNIT	51	
L020022100A	AXIAL FAN MOTOR GROUP	52	
K160001800A	4 POLE CONNECTOR (MALE)	53	
L020022000A	TUTTTO SPLIT 12 QC LIQUID PIPE+FILT	54	
254434A	PRESSING LINE PIPE FOR OUTDOOR UNIT	55	
K190000500A	RUBBER PLUG	56	
281557A85	SLEEVE FOR FLEXIBLE LINE	57	
592501A90	SUCTION CUP AND CORD ASSEMBLY	58	
K160000800A	LED CARD	59	
G0457A	K30 COMPRESSOR ACCESSORIES ASSY	60	
598890A	GR MALE QC + PRESSING PIPE	61	
G0459A	K30 EVAP.OUTLET+INDUCTION PIPE	62	
G0461A	K30 QC COVER ASSY	63	
G0441A	AEG REMOTE CONTROL HOOK ASSY	64	
281713A144TS	TUTTTO FRONT AESTHETIC PANEL (SILK-	65	
G0430A	FRRIDO REAR WHEEL ASSY	66	
598891A	GR FEMALE QUICK CONNECTOR	67	
281201A85	DX-SX SIDE FRAME FOR OUTDOOR UNIT	68	



OLIMPIA SPLENDID Via G. Rossa 1-3

TUTTO SPLIT 12 QC

Agg.Febr. 2008 - RIF: 093,00